

# GB100M

Power Connection; Multiple Entries



## Product Description

The GB100M is designed to provide power connections for up to three heating cables. The GB100M can also be used for splice or tee connection or end termination if the power through hole is blocked with a certified plug.

The GB series utilize pipe standoff for on-pipe installation to allow heating cables to directly enter the enclosure without the use of insulation while protecting the cables from exposure.

The GB series connection kits use core sealer and RTV adhesive without the need for heatgun for installation. Spring-type terminals provide safe and reliable connections with capacity up to 8AWG conductor sizes.

GB100M-A has enclosure with one NPT 3/4" through hole, GB100M-E with one M25 through hole for power entries for power connection up to three Gaumer Process heating cables.

## Ordering Information

### GB100M-*a*

GB = Connection kit series  
100 = Application;  
100 = Power connection and more  
200 = Tee or Splice connection, End termination  
300 = End seal, In-line splice connection  
M = Cable entry; S = single, M = multiple  
a = Regions;  
A = America  
E = Eurasia (Europe, and Asia)



## Specifications

	GB100M-A	GB100M-E
Application	Power Connection with Multiple Entry (Two independent circuits if desired)	Same as for GB100M-A
Heating cable capability (No. of heating cable entry)	GHT-CR, GHT-CT, GHU-CT, GHK-CT (Up to three heating cables)	Same as for GB100M-A
Supply voltage	100 ~ 277V	100 ~ 277V
Ingress protection	NEMA Type 4X, IP66	IP66
Ambient temperature range	-40°F ~ 131°F	-40°C ~ 55°C
Minimum installation temperature	-40°F	-40°C
Through hole for conduit	NPT 3/4"	M25
Maximum conductor sizes	8AWG (6AWG optional)	10mm <sup>2</sup> (16mm <sup>2</sup> optional)
Maximum continuous operating current	50A	40A

[Note] GB100M requires box stopping plug for splice or tee connection or end termination.

### Gaumer Process

Address 13616 Hempstead Road · Houston, TX, U.S.A., 77040

Web [www.gaumer.com](http://www.gaumer.com) Tel +1 (800) 460 5200 E-mail [sales@gaumer.com](mailto:sales@gaumer.com)



1/2

## Certification / Approvals



### FM24US0113X, FM24CA0042X

Hazardous (classified) locations  
Indoors and outdoors  
Class I, Division 2, Groups A, B, C and D T\*  
Class II/III, Division 2, Groups E, F and G T\*  
Class I, Zone 1, AEx/Ex eb IIC Gb;  
Zone 21, AEx/Ex tb IIIC T\* °C Db;  
Ta = -40°C to +55°C  
NEMA Type 4X, IP66



### FM24ATEX0018X

II 2 G Ex 60079-30-1 IIC T\* Gb;  
II 2 D Ex 60079-30-1 IIIC T\* °C Db;  
II 2 G Ex eb IIC Gb; II 2 D Ex tb IIIC Db;  
Ta = -40°C to +55°C  
IP66

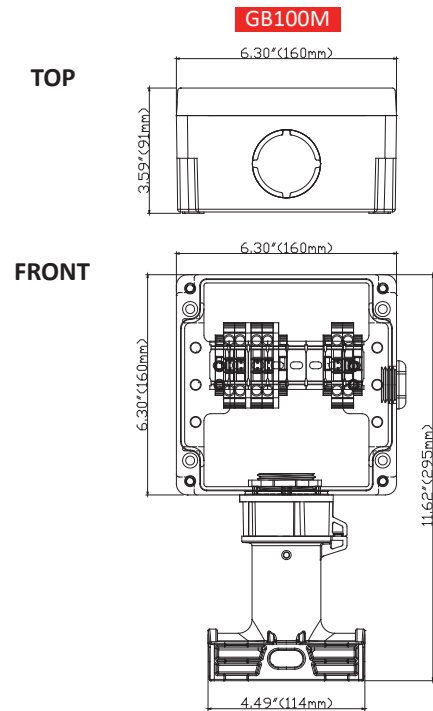


### IECEX FMG 24.0017X

Ex eb IIC T\* Gb;  
Ex tb IIIC T\* °C Db  
IP66

T \* = For T-rating, please refer to cable documentation.

## Dimensions



## Material information

Contents	<ul style="list-style-type: none"> <li>1 Junction box with terminal blocks</li> <li>1 Lid and 4 screws</li> <li>1 Pipe stand, compression cap, locknut and cable tie</li> <li>3 Grommets for different cable sizes</li> <li>3 Core sealers</li> <li>3 Insulation tubes</li> <li>2 Grommet plugs</li> <li>1 RTV sealant</li> <li>2 O-rings</li> <li>1 Wrench</li> </ul>
Enclosure material	<ul style="list-style-type: none"> <li>Glass reinforced polymer junction box</li> <li>Glass reinforced polymer lid with stainless steel screws</li> <li>Glass reinforced polymer box stand</li> </ul>
Installation accessories (Sold separately)	<ul style="list-style-type: none"> <li>Conduit and fittings</li> <li>Box plug</li> <li>Pipe Strap</li> <li>Fiberglass tape</li> <li>Aluminum tape</li> </ul>
Tools required	<ul style="list-style-type: none"> <li>Wire cutters, Utility knife, Marking pen</li> <li>Large slotted screwdriver</li> <li>3/16" (or 5mm) hex key</li> <li>Adjustable pliers, Needle nose pliers</li> </ul>

Technical information subject to change without notification.