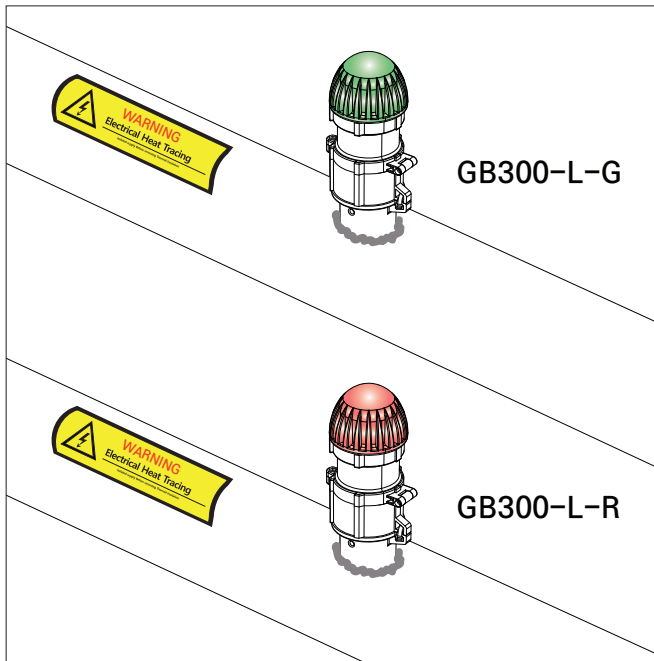


Gaumer Connection Kits

Installation Instructions

GB300-L-G / GB300-L-R

On-Pipe Lighted End Seal



Description

- GB300-L is an above insulation lighted end seal kit for use with GAUMER GHT-CR, GHT-CR, and GHU-CT self-regulating heating cables.
- Light indicator is available in green or red.
- Operating voltage from 100 to 277Vac.
- This kit can be used to seal the end of one heating cable.

Catalog number designation

GB300 - L - □

└ G : Green Light Indicator
└ R : Red Light Indicator

Approvals

┌ GB300-L-G / GB300-L-R ┐



FM24US0113X, FM24CA0042X

Hazardous (classified) locations, indoors and outdoors
Class I, Division 2, Groups A, B, C and D T*;
Class II/III, Division 2, Groups E, F and G T*;
Class I, Zone 1, AEx/Ex eb mb IIC Gb
Zone 21, AEx/Ex tb IIIC T* °C Db
Type 4X, IP66
Ta = -40°C to +55°C



FM24ATEX0018X

II 2 G Ex 60079-30-1 IIC T* Gb;
II 2 D Ex 60079-30-1 IIIC T* °C Db;
II 2 G Ex eb mb IIC Gb;
II 2 D Ex tb IIIC Db
IP66
Ta = -40°C to +55°C

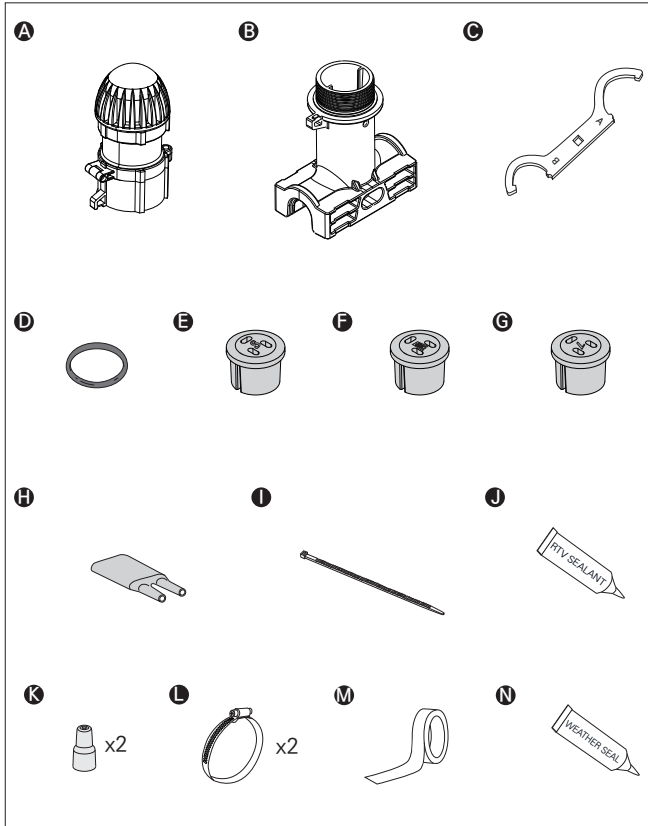


IECEX FMG 24.0017X

Ex eb mb IIC T* Gb;
Ex tb IIIC T* °C Db

- T* = For T-rating, please refer to cable documentation.

Kit Contents



Item	Description	Qty.
A	Lighted End Cap	1
B	Stand	1
C	Wrench	1
D	Stand O-ring	1
E	GHU-CT/GHT-CT Grommet (3 holes)	1
F	GHT-CR Grommet (3 holes)	1
G	GHK-CT Grommet (3 holes)	1
H	Core Sealer	1
I	Cable Tie	1
J	RTV Adhesive	1
K	Closed End Connector	2
L	Pipe Strap (Sold Separately)	2
M	Fixing Tape (Sold Separately)	1
N	Weather Seal (Sold Separately)	1

Tools Required

- Wire cutters
- Marking pen
- Adjustable pliers
- Needle nose pliers
- Utility knife
- Large slotted screwdriver
- Molex RHT-7000 crimp tool or equivalent; 10-16AWG slot

Additional Materials Required

- Pipe Strap

GPS-SS02	Pipe up to 2" Outer Diameter
GPS-SS05	Pipe up to 5" Outer Diameter
GPS-SS10	Pipe up to 10" Outer Diameter
GPS-SS18	Pipe up to 18" Outer Diameter
GPS-SS24	Pipe up to 24" Outer Diameter

- For installation on small pipes smaller than 1" (25mm), contact Gaumer Process for small pipe adapter, GSPA.
- Fixing Tape
 - GFT-L98 : Fiberglass Tape low temp; 1/2" * 98ft (30m)
 - GFT-H98 : Fiberglass Tape high temp; 1/2" * 98ft (30m)
 - GAT2/3-L164 : Aluminum tape low temp ;
2" or 3" * 164ft (50m)
- Stand Extension
For installation with insulation thicker than 3" (76mm), or on very hot pipe, contact Gaumer Process for stand extension, GPSE.

CAUTION

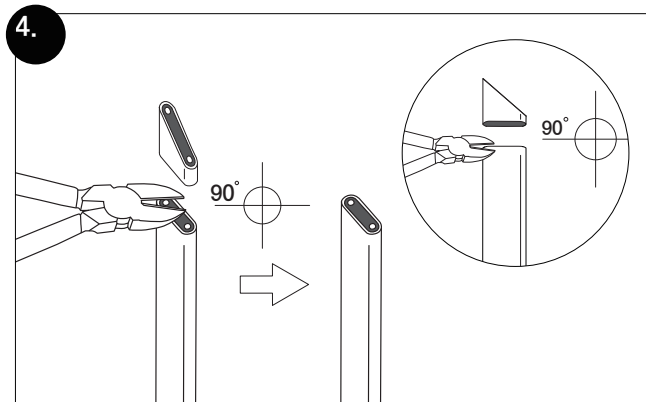
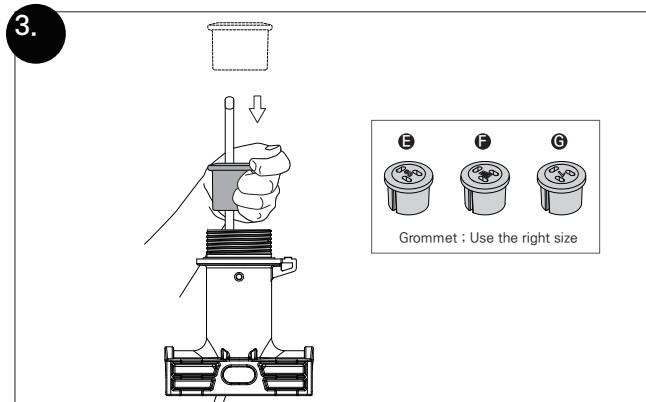
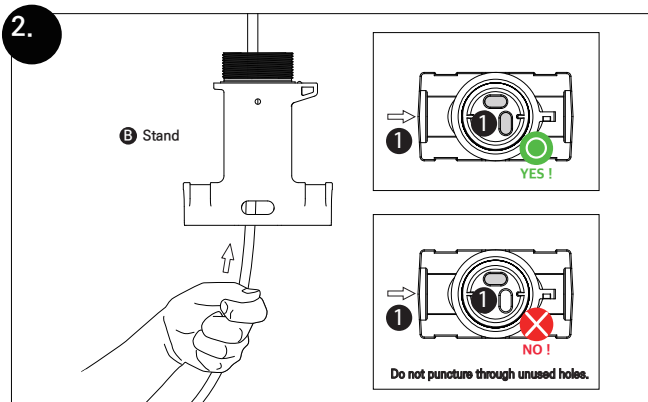
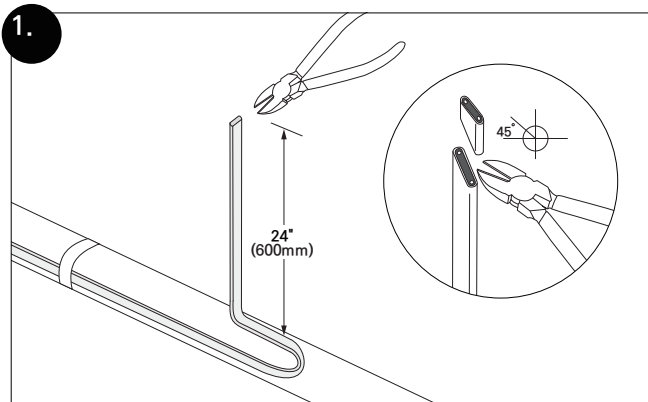
- The minimum installation temperature is -40°F (-40°C). For more convenient installation, we recommend performing the installation at a temperature above freezing. Store the kit at a temperature above freezing until installation.
- Only qualified personnel shall design and install ground fault equipment, circuit breakers, thermal insulation to cover the heating cable on the pipes, and to provide commissioning, service, operation, maintenance, and supervision.
- During installation, it's essential to employ the appropriate personal protective equipment (PPE). If you have further inquiries, do not hesitate to contact Gaumer Process.

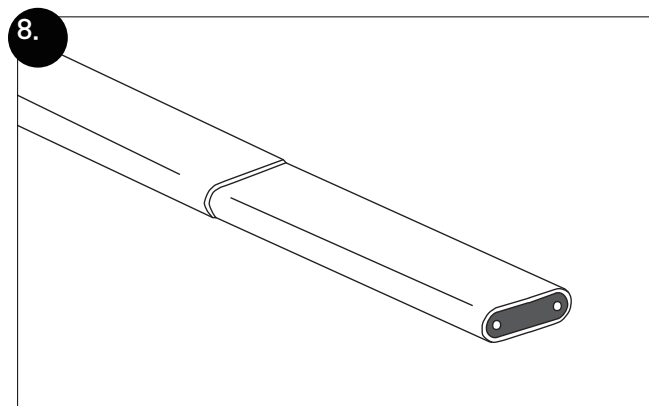
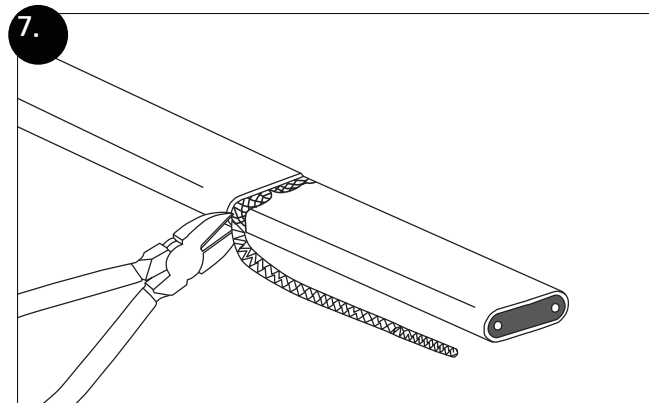
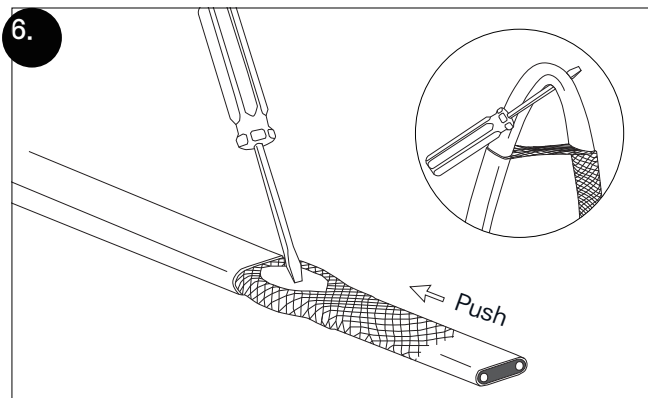
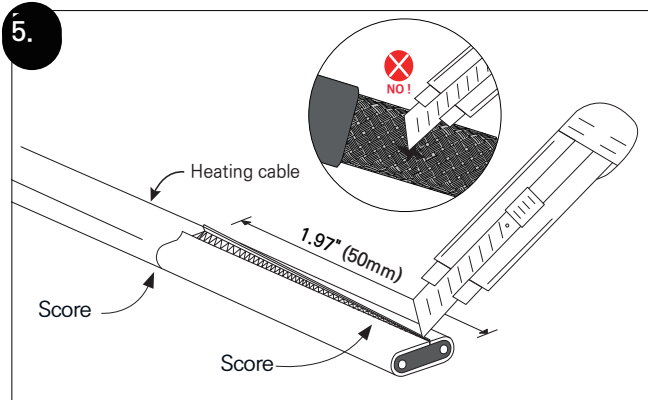
WARNING

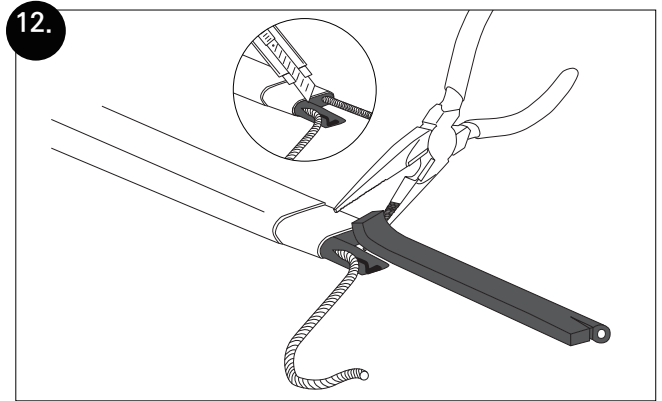
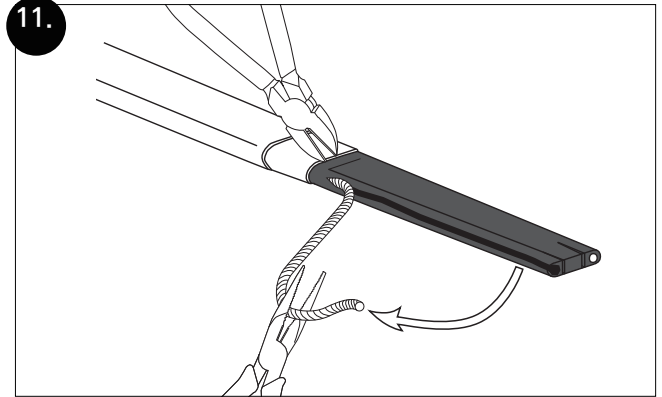
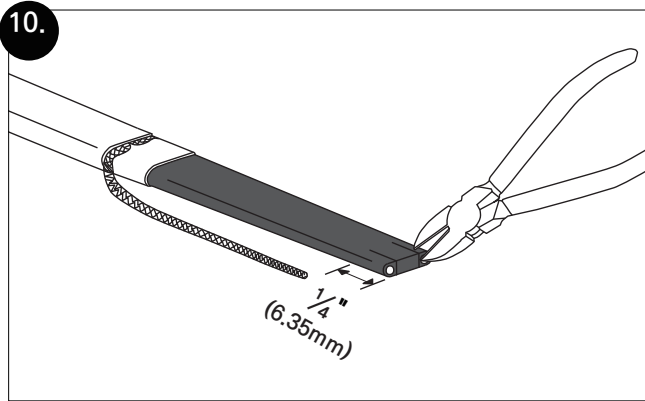
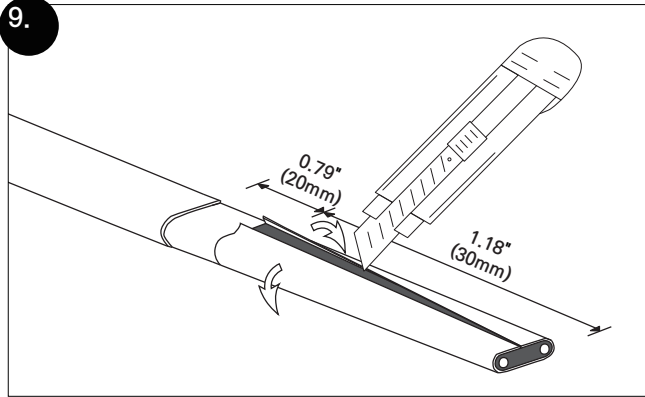
- Gaumer heat-tracing systems must be installed correctly to ensure proper operation and to prevent shocks and fires. Pay attention to warnings and carefully follow applicable installation instructions.
- **ELECTRIC SHOCK OR FIRE HAZARD**
 - The installation must comply with Gaumer's requirements and adhere to the guidelines outlined in the National Electrical Code (NEC) and Canadian Electrical Code (CEC), as well as any other relevant national and local codes.
 - Ground-fault equipment protection must be utilized on each heating cable branch circuit.
- The approvals and performance of the heat tracing systems are based exclusively on the use of Gaumer Process specified parts. It is imperative that parts are not substituted and commonly used electrical tape for insulation of heating cable is not allowed.
- Damaged bus wires have the potential to overheat or cause short circuits. When scoring the jacket or core, it is essential to avoid breaking the bus wire strands.
- Both components and cable ends must be kept dry before and throughout the installation process.
- The potential for bus wires to overheat or short circuit exists if the bus wire strands are broken while preparing the cable for connection. Reuse of grommets or use of the wrong grommet can result in leaks, cracked components, shocks, or fires. Ensure the type or opening size of grommet is correct for the heating cable being installed. A new grommet is

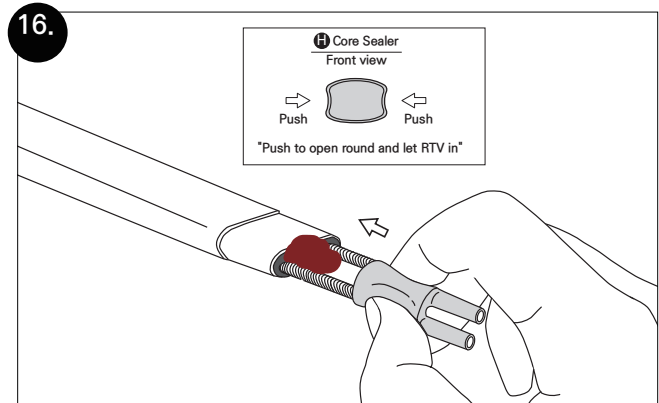
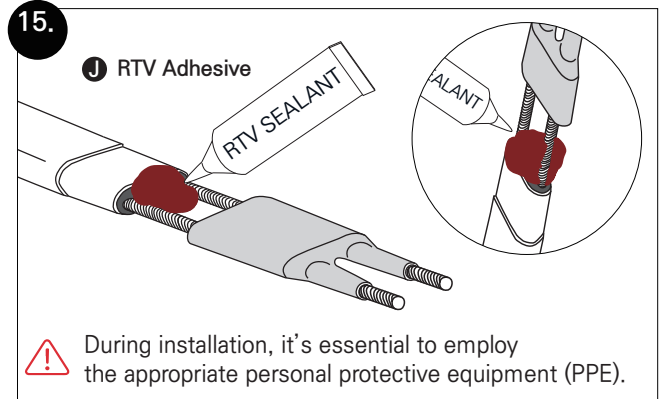
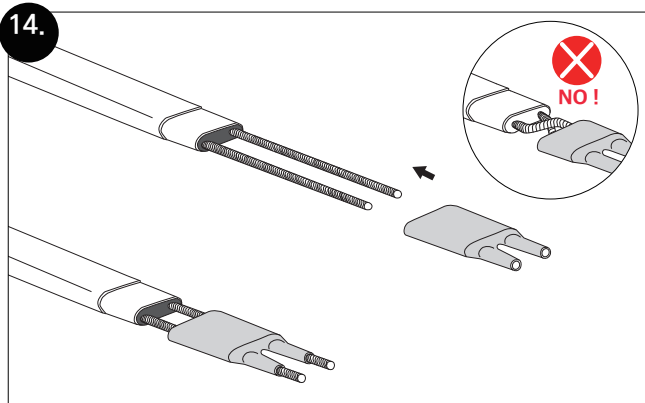
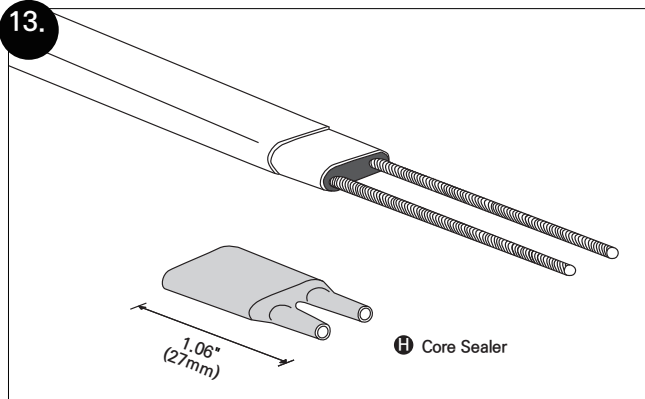
recommended whenever the cable has been pulled out of the component.

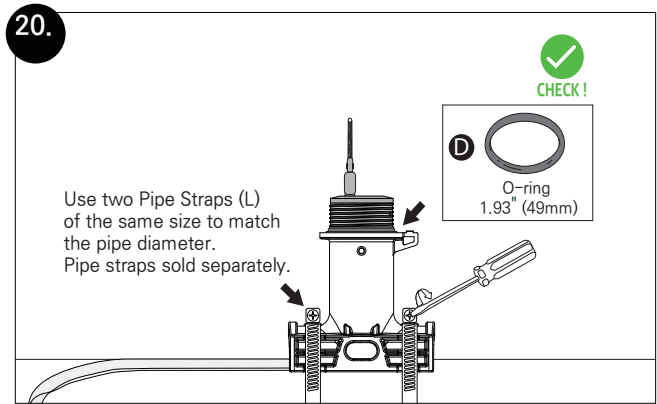
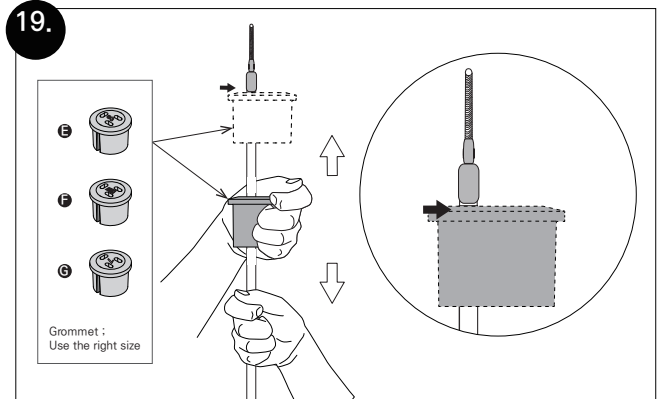
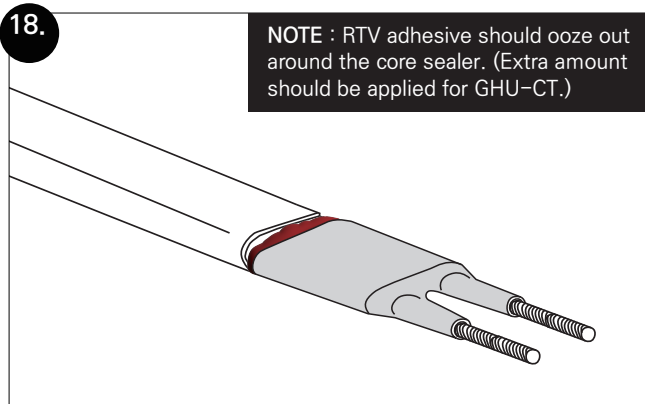
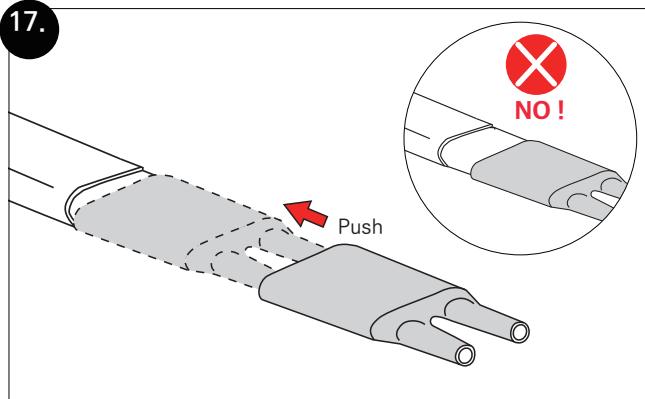
- Before and during installation or servicing, all power circuits must be de-energized.
- Read the MSDS for RTV and components carefully.
- It is recommended to use fire-resistant insulation that is compatible with the application and the maximum exposure temperature of the heat tracing system.



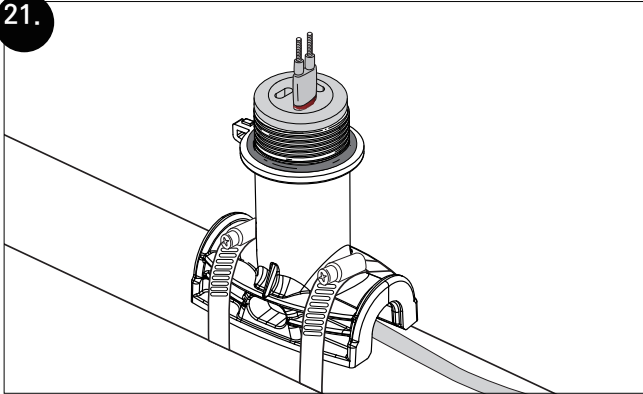




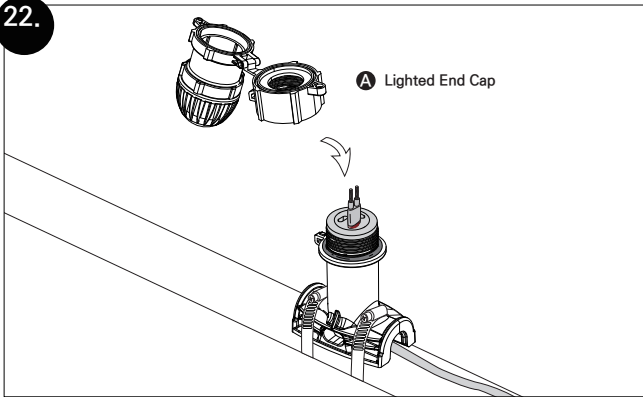




21.

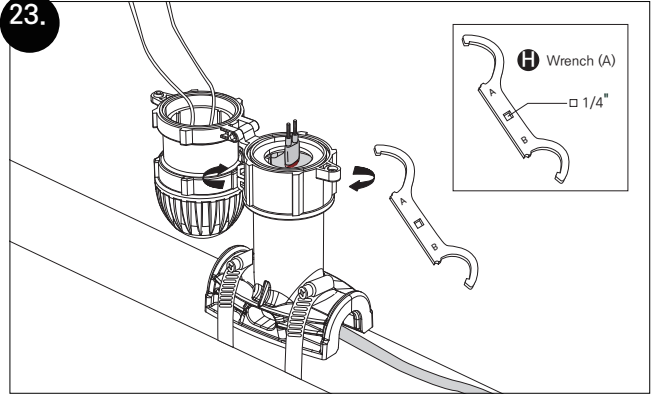


22.



A Lighted End Cap

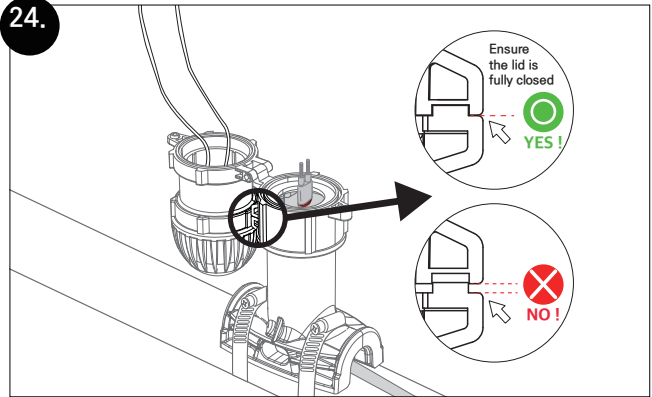
23.



H Wrench (A)

1/4"

24.

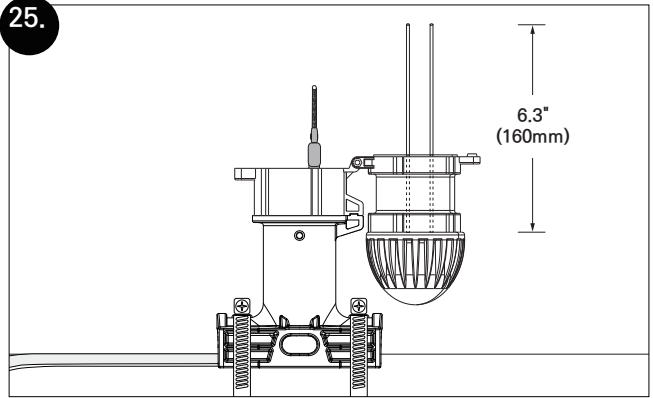


Ensure the lid is fully closed

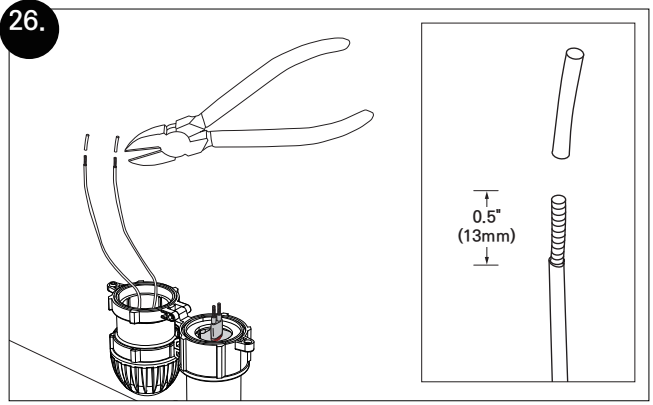
YES!

NO!

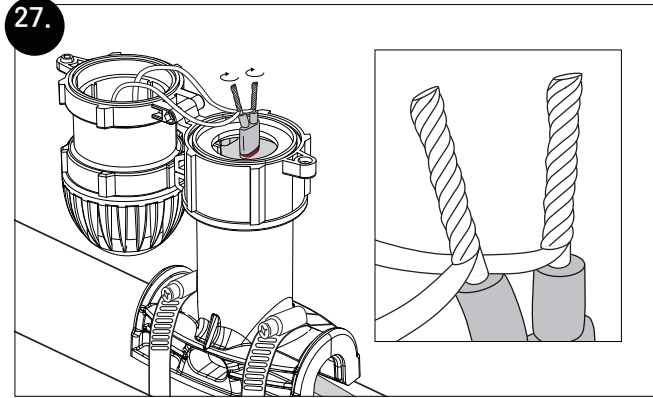
25.



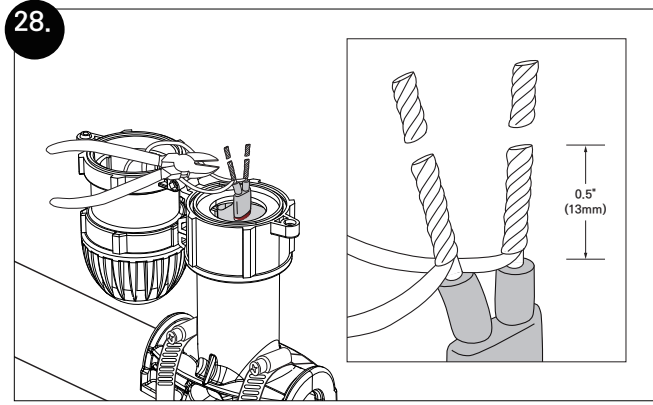
26.



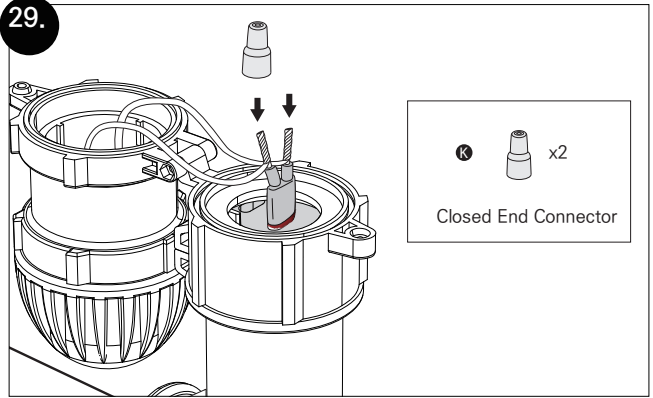
27.



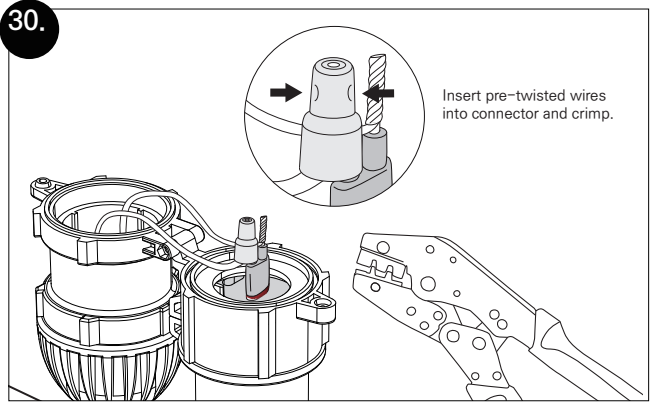
28.



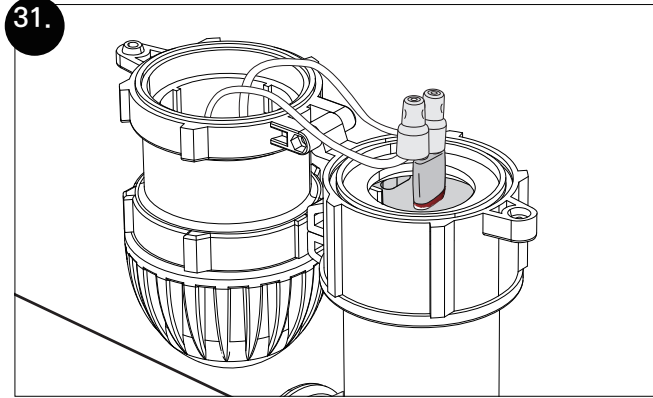
29.



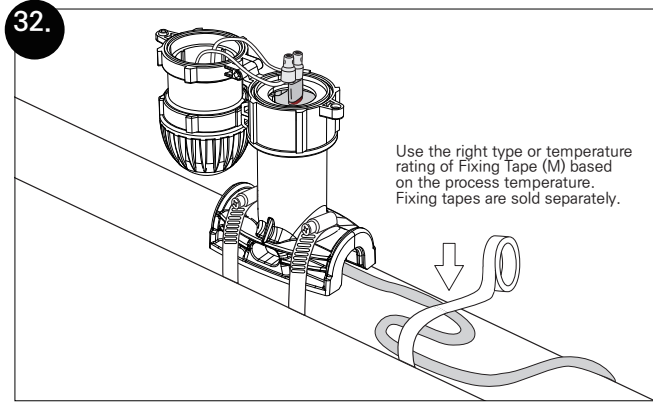
30.



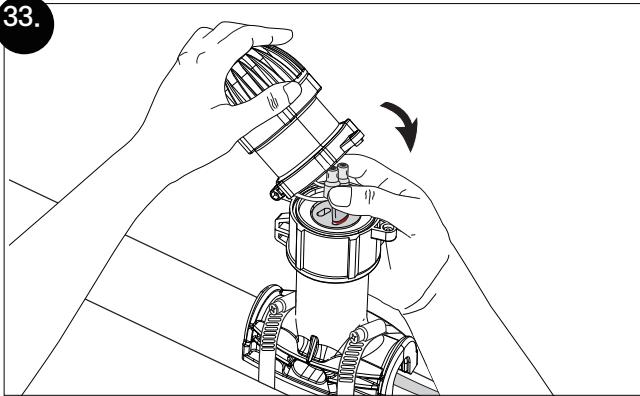
31.




32.

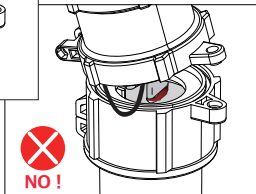
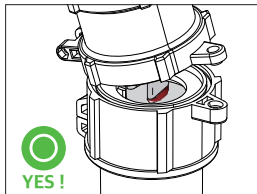


33.

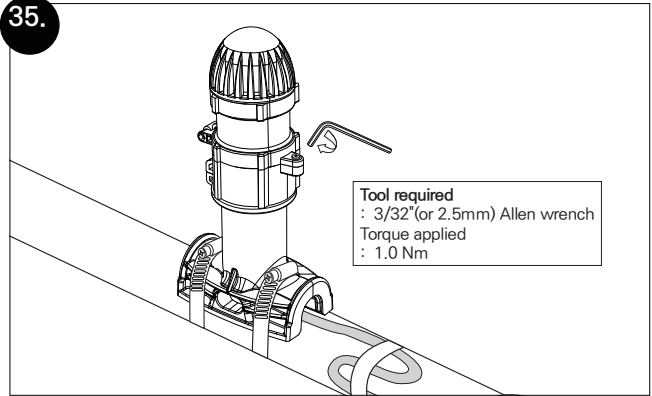


34.

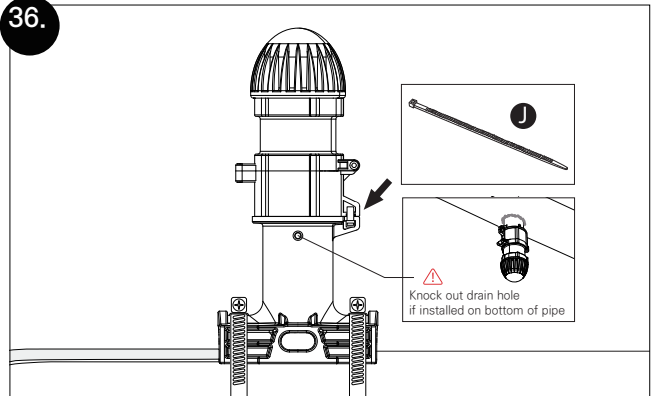
 Ensure wires are not caught between the cap and compression cap.



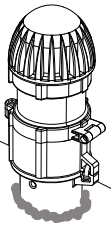
35.



36.



37.



Weather seal



Gaumer Process

ADDRESS 13616 Hempstead Road · Houston, TX, U.S.A., 77040

WEB www.gaumer.com TEL +1 (800) 460 5200 E-MAIL sales@gaumer.com