

Explosion Proof Temperature Switch

Gaumer Part # GSTAT-HT



Features:
 Explosion Proof
 High Accuracy
 Line or Ambient Sensing
 UL, CSA & ATEX Approved



Applications:
 Heat Tracing
 Hydraulic Power Units
 Combustion Engines
 Machine Tools and other industrial types of equipment.

General Specifications*

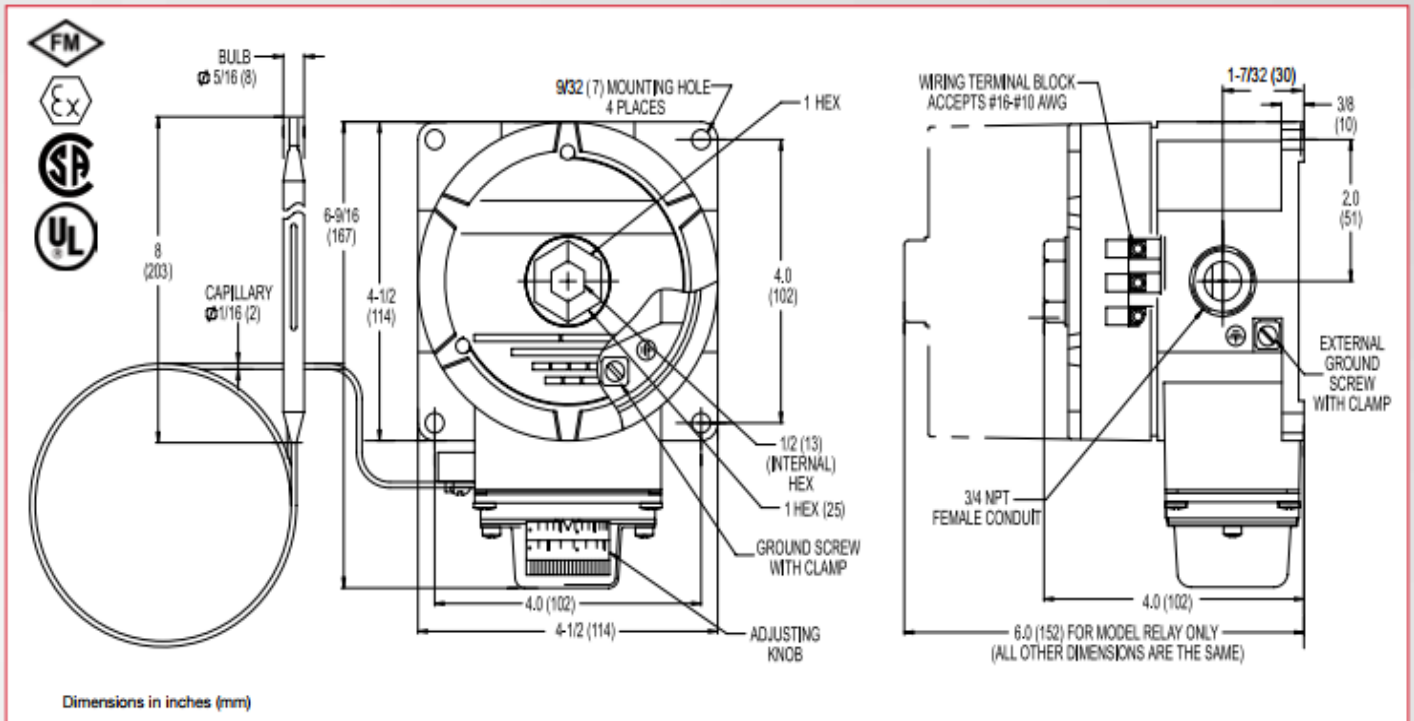
Accuracy:	±1% of full scale
Switch: Type:	Single pole double throw (SPDT), prewired snap action
Rating:	22 amp @ 125/250/480 VAC
Electrical Characteristics:	All models incorporate Underwriters' Laboratories, Inc. and CSA listed single pole double throw snap-action switching elements. Switches may be wired normally open or normally closed.
Electrical Connection:	3/4" NPT female conduit connection. 3 pole terminal block accepts 16-10 AWG wire.
Enclosure Ratings:	NEMA 4, 7, 9, & IP65
Enclosure/Housing:	Anodized aluminum, explosion proof, painted silver
Bulb and Capillary: Material:	316L stainless steel
Bulb:	8" (203mm), 5/16" (8mm) dia.
Capillary Length:	10' (3m), remote mount only
System Pressure (max):	300 psi without thermowell
Fill:	Silicone oil-filled

* See Product Configurator for additional options.

Approvals:	FM, UL file E58658, CSA - file LR 34556 Division 1 and 2, Class I, Group B, C & D Class II, Group E, F & G, Class III. CE 0081, LCIE 07 ATEX 6092X II 2 G D, Ex d IIC T6, Ex tD A21 IP6X T80°C -40°C ≤ Tamb ≤ +60°C (EX NEPSI, GOST-R)
Temperature Range:	-40° to 160°F (-40° to 71°C)
Ambient Temperature:	-40° to 140°F (-40° to 60°C)
Adjustment:	External adjustment knob. Turn knob clockwise to decrease setpoint
ENI/RFI:	to EN 55011
Vibration:	10 g's 10-500 Hz, MIL-STD 202F
Shock:	50 g's, 10 mS, MIL-STD 901C
Standard Options: -R (suffix):	Double pole single throw (DPST) relay 22 amp @ 120/240/277 VAC. Contacts close on falling temperature. Relay Coil: 120 VAC, 4VA.
Weight:	3.8 lb (1.7 kg)

Media Temperature Limits	Adjustable Range	Differential (approximate)	Sensing Location	Catalog Number
-40° to 420°F (-40° to 215°C)	25° to 325°F (-4° to 163°C)	10°F (5.6°C)	Line Sensing T-stat	
-40° to 160°F (-40° to 71°C)	15° to 140°F (-9° to 60°C)	10°F (5.6°C)	Ambient Sensing T-stat	

Technical Drawing



GSTAT-HT

Example TX R -L 2 S -10 -Q10

Base Configurator

- T Temperature switch
- X NEMA 4, 7, 9 & IP65 explosion proof enclosure

- R¹ Remote bulb & capillary
- L² Local mount for ambient sensing

Limit Switch

- L 22 amp @ 125/250/480 VAC

-Q10 Heat tracing model (standard)

Bulb & Capillary Length & Switch

- 10 10 ft bulb & capillary
- 10R2 22A DPST relay³ with 10 ft bulb & capillary.

Wetted Material

- S Stainless steel sensor

Temperature Range

Range	Adjustable Range				Media Temperature Limit (Proof)				Differential (Approx.) Liquid	
	°F		°C		°F		°C		°F	°C
	Low	High	Low	High	Low	High	Low	High		
1	+15°	+140°	-9°	+60°	-40°	+160°	-40°	+71°	10°	5.6°
2	+25°	+325°	-4°	+163°	-40°	+420°	-40°	+215°	10°	5.6°

NOTES:

- ¹ Use temperature range "2" for remote sensing applications
- ² Use temperature range "1" for local sensing applications
- ³ DPST switch, 22 amps @ 120/240/277 VAC. Relay Coil: 240 Vac, 4 VA. Contacts close on falling temperature.