

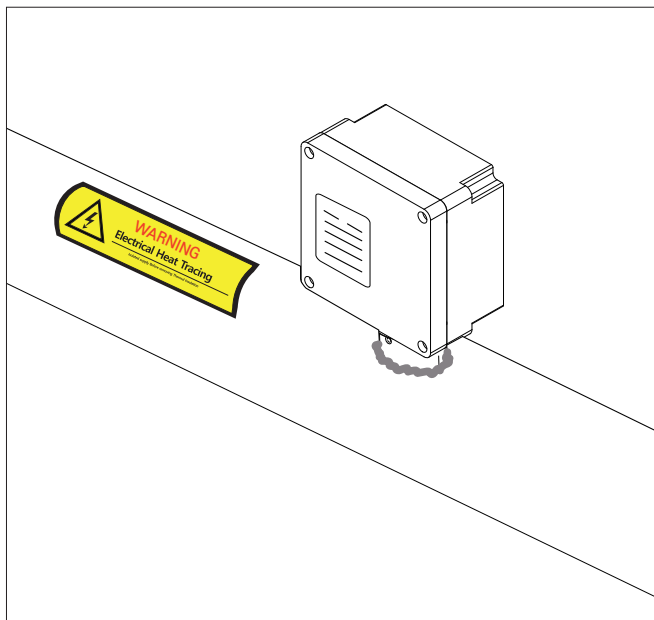
# Gaumer Connection Kits

## Installation Instructions

---

### GB200

On-Pipe Splice, Tee Connection or  
End Termination Kit.



---

## Description

- GB200 series is an above insulation connection kit for use with GAUMER GHT-CR, GHT-CT, GHU-CT and GHK-CT self-regulating heating cables.
- This kit can be used to splice or tee up to three heating cables, and end terminations up to two heating cables.
- GB200 junction box has the same dimensions as that of GB100M, but does not have through hole.

---

## Approvals

「 GB200 」



### FM24US0113X, FM24CA0042X

Hazardous (classified) locations, indoors and outdoors  
Class I, Division 2, Groups A, B, C and D T\*;  
Class II/III, Division 2, Groups E, F and G T\*;  
Class I, Zone 1, AEx/Ex eb IIC Gb  
Zone 21, AEx/Ex tb IIIC T\* °C Db  
Type 4X, IP66  
Ta = -40°C to +55°C



### FM24ATEX0018X

II 2 G Ex 60079-30-1 IIC T\* Gb  
II 2 D Ex 60079-30-1 IIIC T\* °C Db  
II 2 G Ex eb IIC Gb  
II 2 D Ex tb IIIC Db  
Ta = -40°C to +55°C IP66

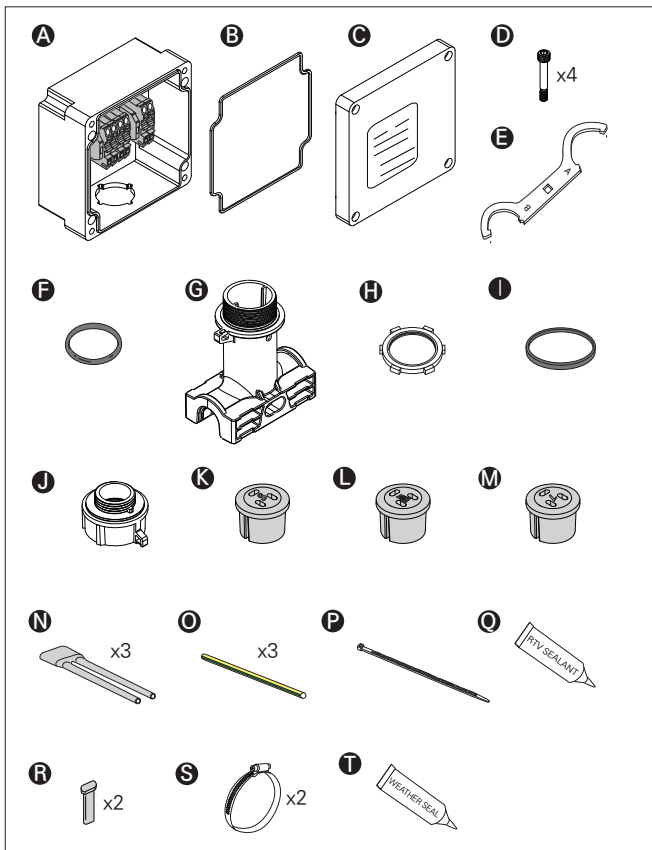


### IECEx\_FMG\_24.0017

Ex eb IIC T\* Gb;  
Ex tb IIIC T\* °C Db

· T\* = For T-rating, please refer to cable documentation.

## Kit Contents



Item	Description	Qty.
A	Junction Box with terminal blocks	1
B	Box Gasket	1
C	Junction Box Lid	1
D	M6 Bolt	4
E	Wrench	1
F	Stand O-ring	1
G	Junction Box Stand	1
H	Lock Nut	1
I	Square-Ring for Compression Cap	1
J	Compression Cap	1
K	GHU-CT/GHT-CT Grommet (3 holes)	1
L	GHT-CR Grommet (3 holes)	1
M	GHK-CT Grommet (3 holes)	1
N	Core Sealer	3
O	Insulation Tube(Y/G)	3
P	Cable Tie	1
Q	RTV Adhesive	1
R	Grommet plug (for GHT-CR & CT only)	2
S	Pipe Strap (Sold Separately)	2
T	Weather Seal (Sold Separately)	1

---

## Tools Required

- Wire cutters
- Marking pen
- Adjustable pliers
- Needle nose pliers
- Utility knife
- Large slotted screwdriver
- 3/16" (or 5mm) hex key

## Additional Materials Required

- Certified plug if use as splice, tee, or end termination.
- Pipe Strap

GPS-SS02	Pipe up to 2" Outer Diameter
GPS-SS05	Pipe up to 5" Outer Diameter
GPS-SS10	Pipe up to 10" Outer Diameter
GPS-SS18	Pipe up to 18" Outer Diameter
GPS-SS24	Pipe up to 24" Outer Diameter

- For installation on small pipes smaller than 1" (25mm), contact Gaumer Process for small pipe adapter, GSPA.
- Fixing Tape
  - GFT-L98 : Fiberglass Tape low temp; 1/2" \* 98ft (30m)
  - GFT-H98 : Fiberglass Tape high temp; 1/2" \* 98ft (30m)
  - GAT2/3-L164 : Aluminum tape low temp ;  
2" or 3" \* 164ft (50m)

- Stand Extension

For installation with insulation thicker than 3" (76mm), or on very hot pipe, contact Gaumer Process for stand extension, GPSE.

---

## User Provided Materials

- Conduit, fittings and conduit drain

## CAUTION

- The minimum installation temperature is  $-40^{\circ}\text{F}$  ( $-40^{\circ}\text{C}$ ). For more convenient installation, we recommend performing the installation at a temperature above freezing. Store the kit at a temperature above freezing until installation.
- Only qualified personnel shall design and install ground fault equipment, circuit breakers, thermal insulation to cover the heating cable on the pipes, and to provide commissioning, service, operation, maintenance, and supervision.
- During installation, it's essential to employ the appropriate personal protective equipment (PPE). If you have further inquiries, do not hesitate to contact Gaumer Process.

---

## WARNING

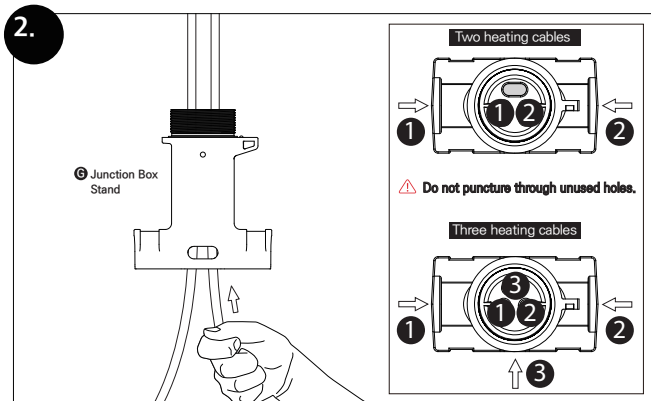
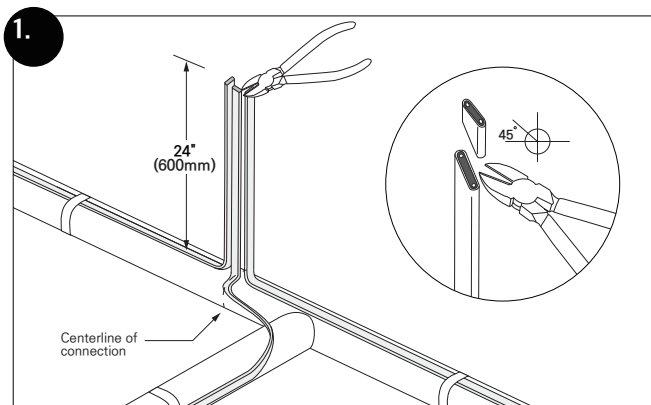
- Gaumer heat-tracing systems must be installed correctly to ensure proper operation and to prevent shocks and fires. Pay attention to warnings and carefully follow applicable installation instructions.
- **ELECTRIC SHOCK OR FIRE HAZARD**
  - The installation must comply with Gaumer's requirements and adhere to the guidelines outlined in the National Electrical Code (NEC) and Canadian Electrical Code (CEC), as well as any other relevant national and local codes.
  - Ground-fault equipment protection must be utilized on each heating cable branch circuit.
  - L1 and L2 jumpers on terminal blocks must be removed if the power connection is energized by two power circuits.
- The approvals and performance of the heat tracing systems are based exclusively on the use of Gaumer Process specified parts. It is imperative that parts are not substituted and commonly used electrical tape for insulation of heating cable is not allowed.
- Damaged bus wires have the potential to overheat or cause short circuits. When scoring the jacket or core, it is essential to avoid breaking the bus wire strands.
- Both components and cable ends must be kept dry before and throughout the installation process.
- The potential for bus wires to overheat or short circuit exists if the bus wire strands are broken while preparing the cable for connection. Reuse of grommets or use of the wrong grommet can result in leaks, cracked components, shocks, or



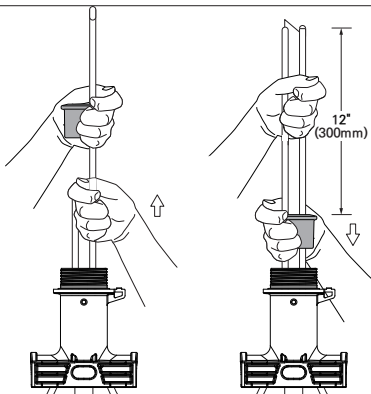
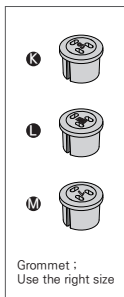
---

fires. Ensure the type or opening size of grommet is correct for the heating cable being installed. A new grommet is recommended whenever the cable has been pulled out of the component.

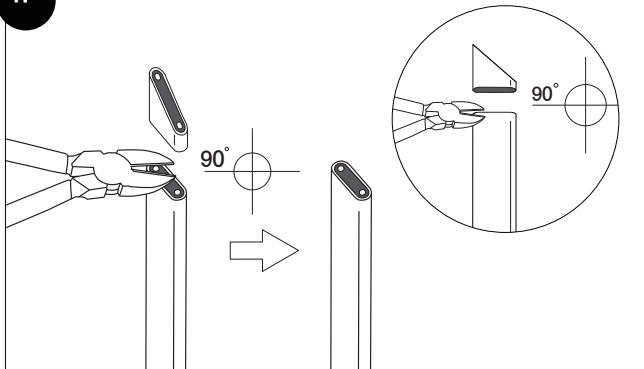
- Before and during installation or servicing, all power circuits must be de-energized.
- Read the MSDS for RTV and components carefully.
- It is recommended to use fire-resistant insulation that is compatible with the application and the maximum exposure temperature of the heat tracing system.



3.

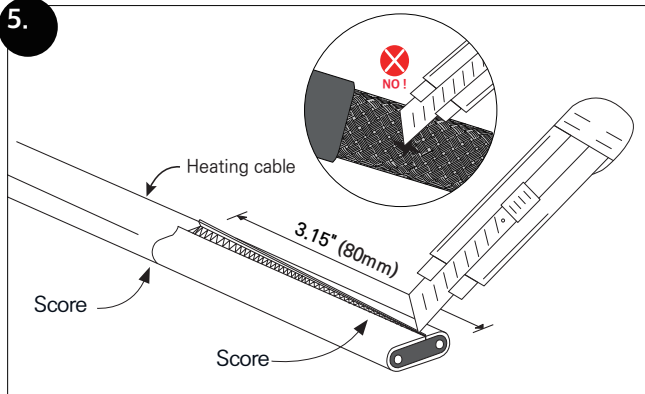


4.

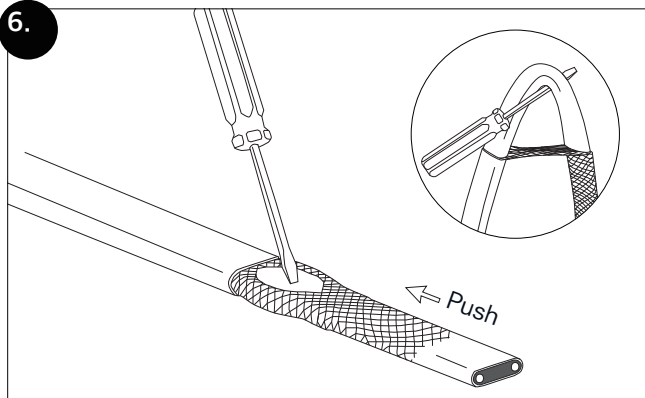


## Heating Cable

5.

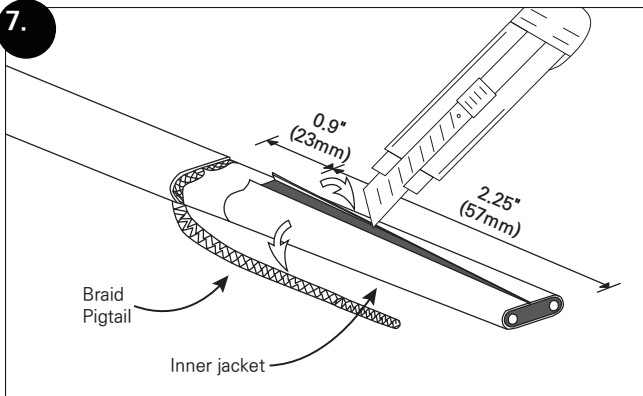


6.

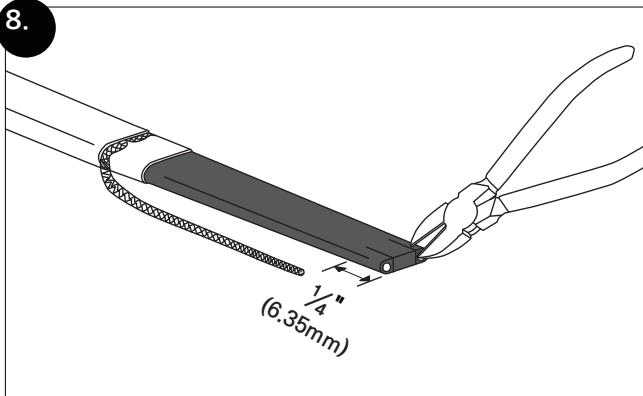


## Heating Cable

7.

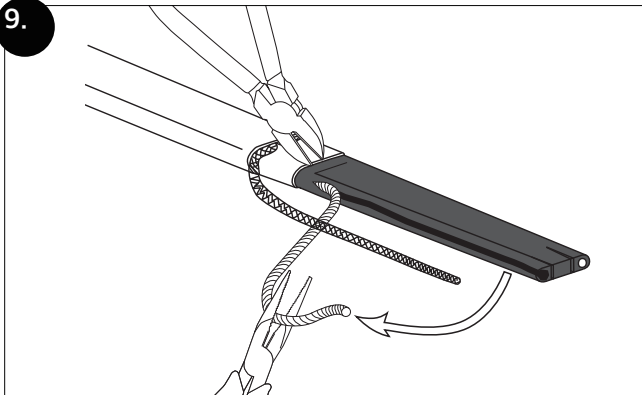


8.

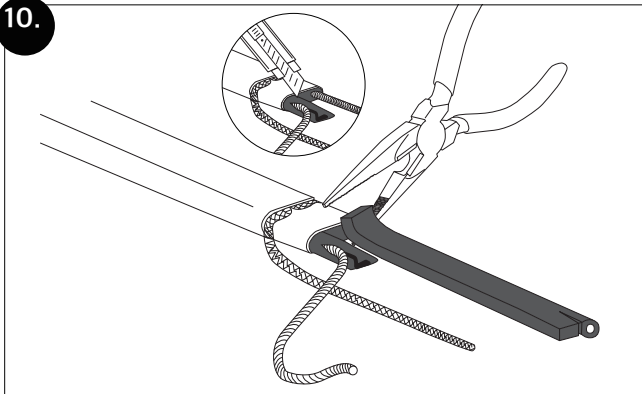


## Heating Cable

9.

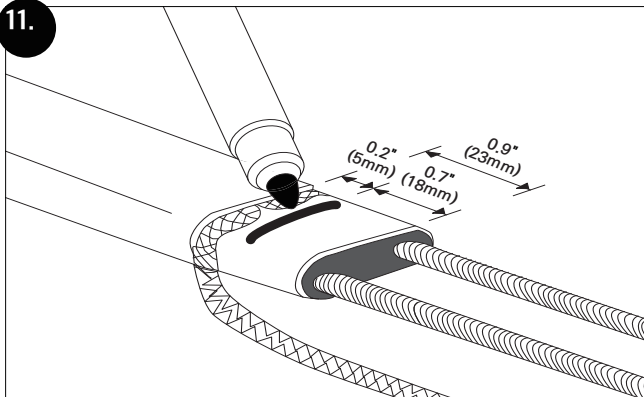


10.

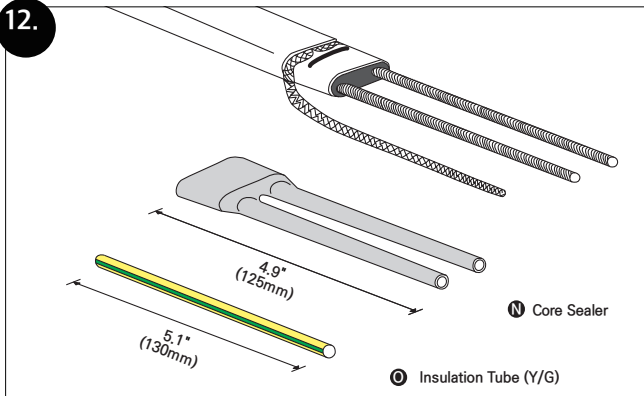


## Heating Cable

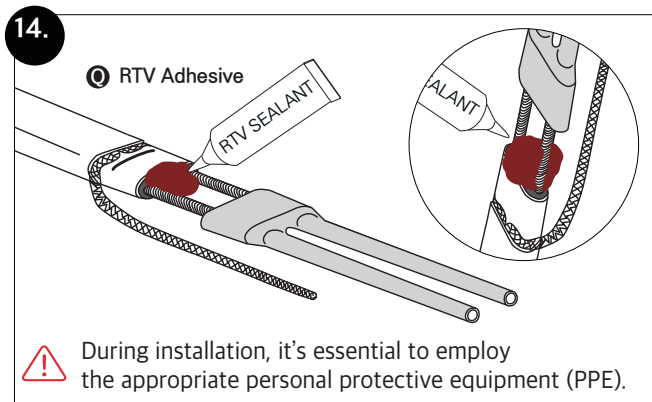
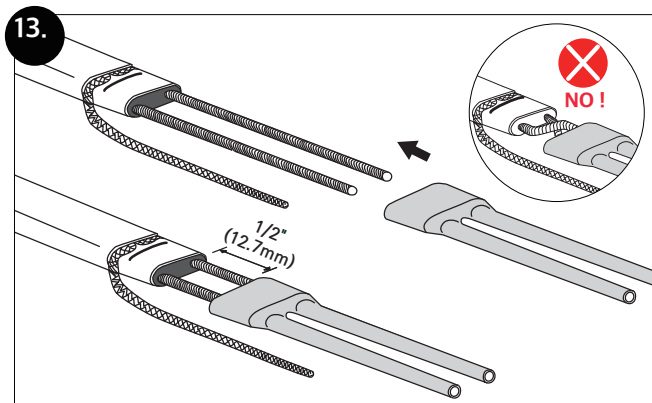
11.



12.



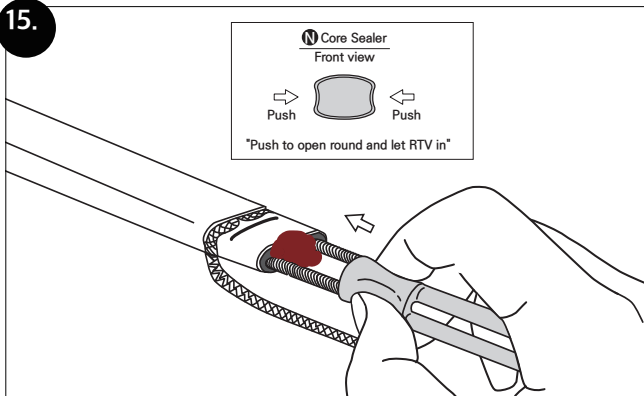
## Heating Cable



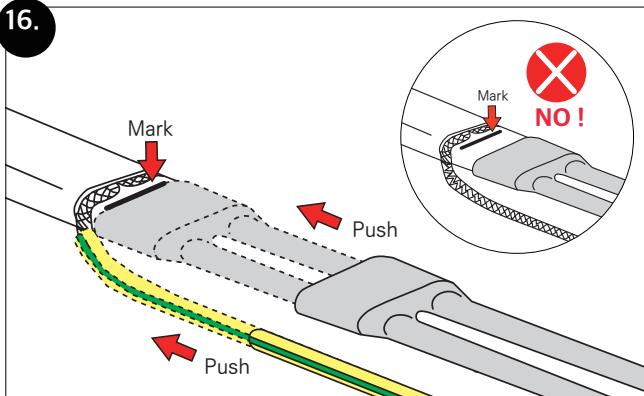


## Heating Cable

15.



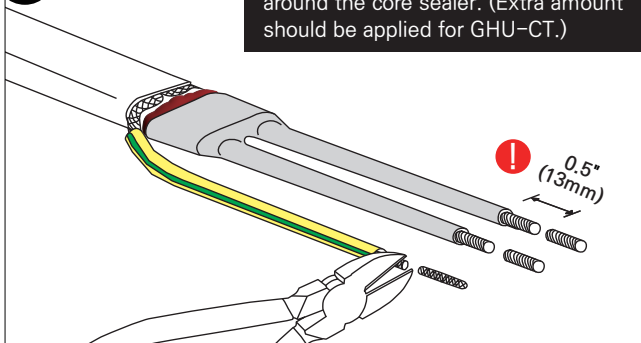
16.



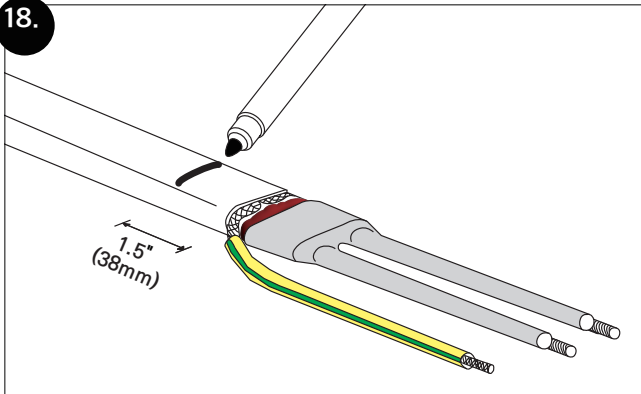
## Heating Cable

17.

**NOTE :** RTV adhesive should ooze out around the core sealer. (Extra amount should be applied for GHU-CT.)

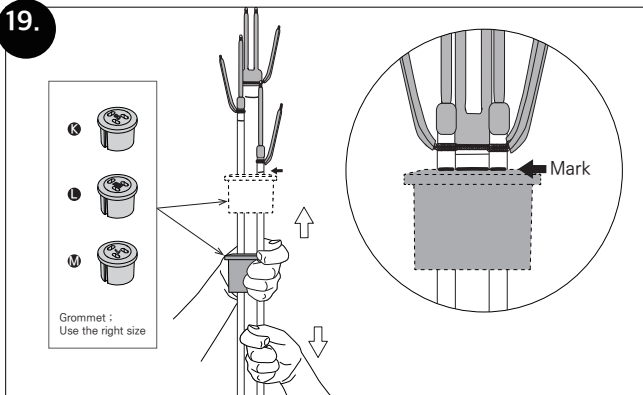


18.

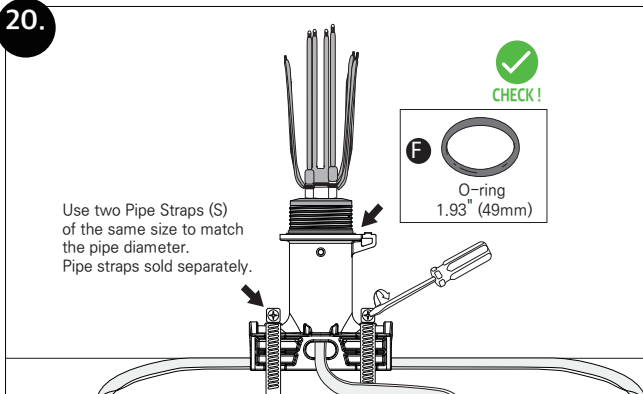


## GB200 Kit

19.

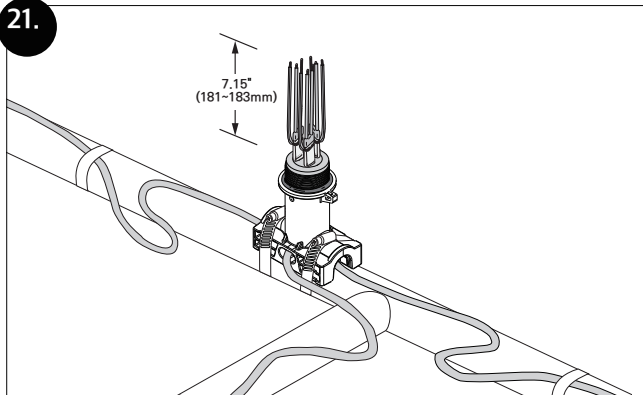


20.



## GB200 Kit

21.

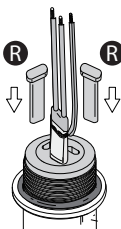


21A.

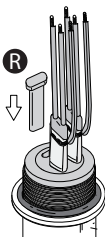


GHT series require Grommet Plugs(R) in unused entries.  
GHU and XHK **DO NOT** require Grommet Plugs(R).

One heating cable  
↓  
Two grommet plugs

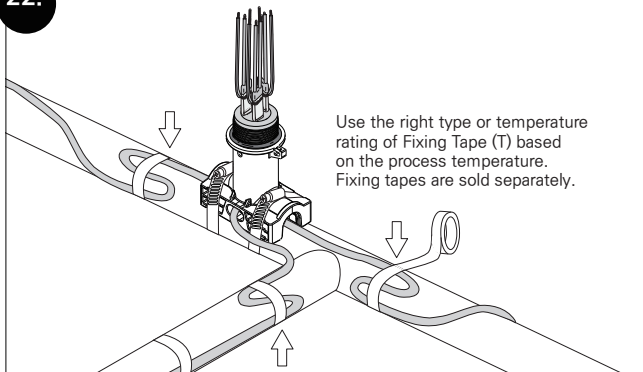


Two heating cables  
↓  
One grommet plug

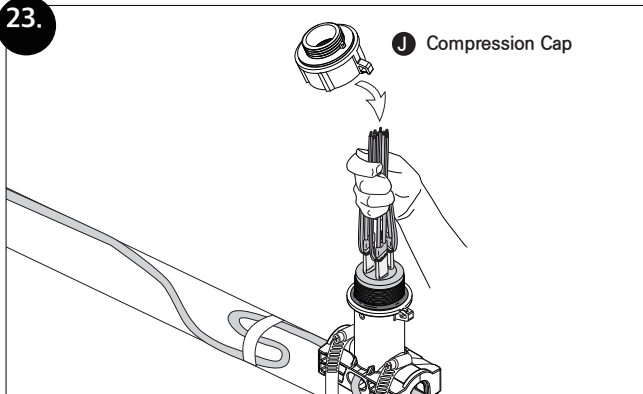


## GB200 Kit

22.

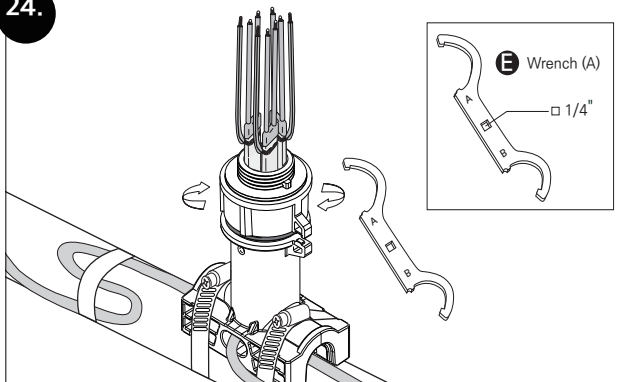


23.

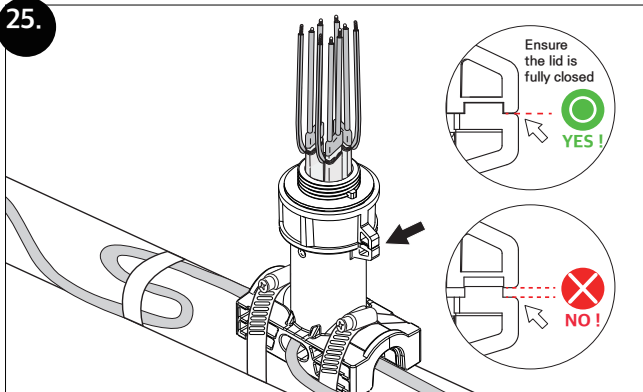


## GB200 Kit

24.

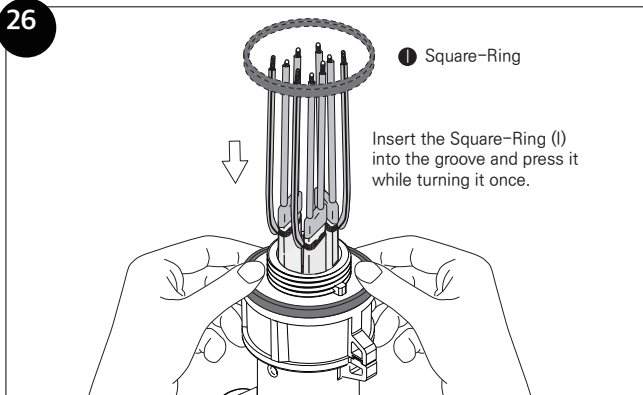


25.

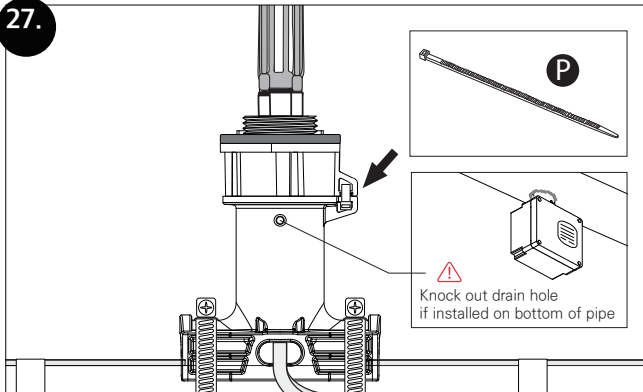


## GB200 Kit

26

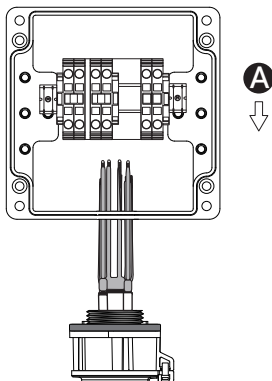


27.

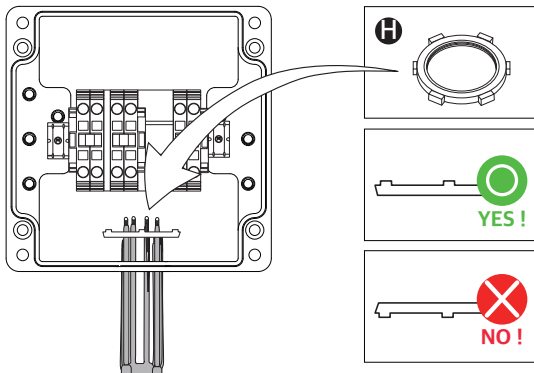


## GB200 Kit

28.



29.

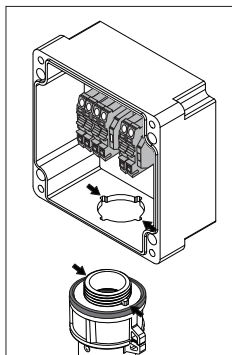




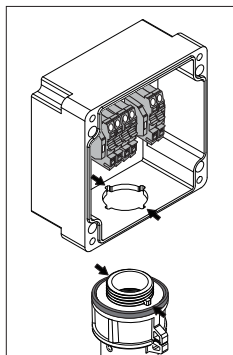
## GB200 Kit

30.

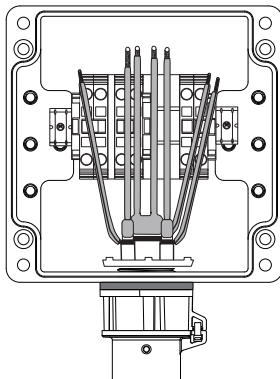
CASE 1



CASE 2

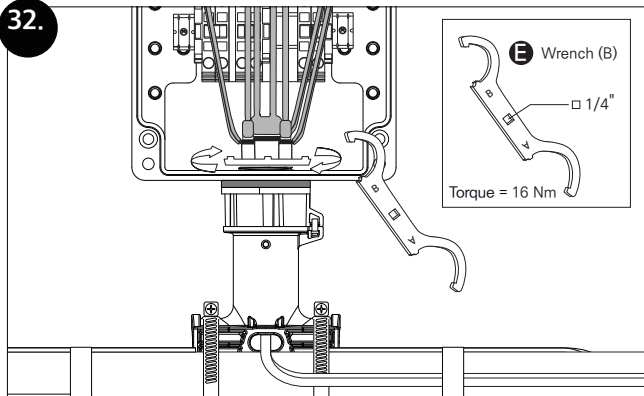


31.



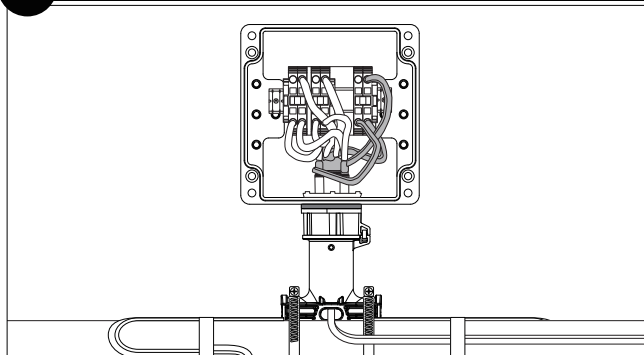
## GB200 Kit

32.



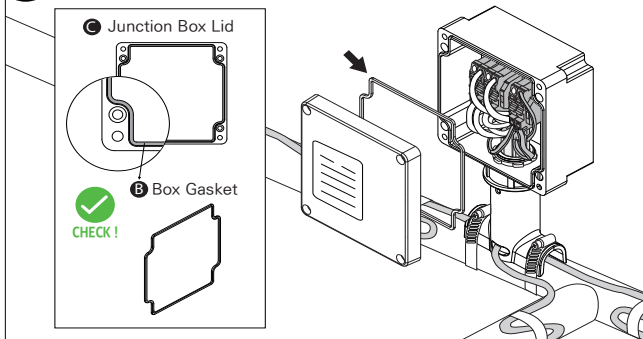
33.

Splice or Tee Connection

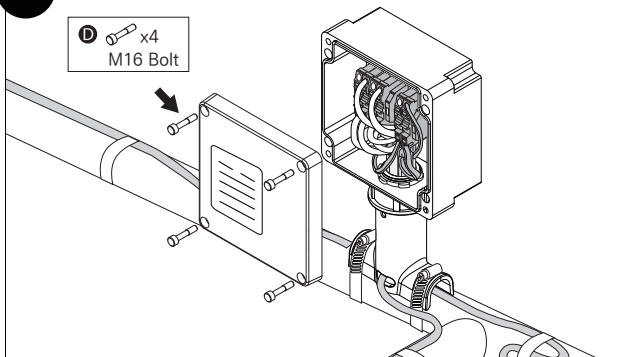


## GB200 Kit

34.



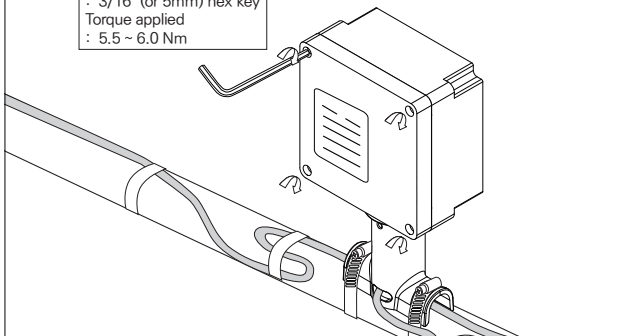
35.



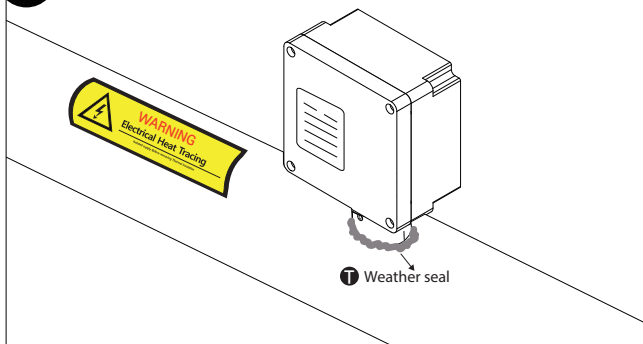
## GB200 Kit

36.

Tool required  
: 3/16" (or 5mm) hex key  
Torque applied  
: 5.5 ~ 6.0 Nm

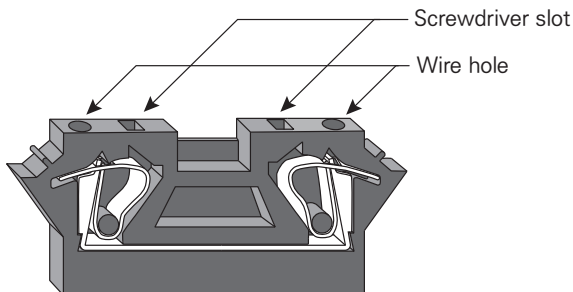


37.

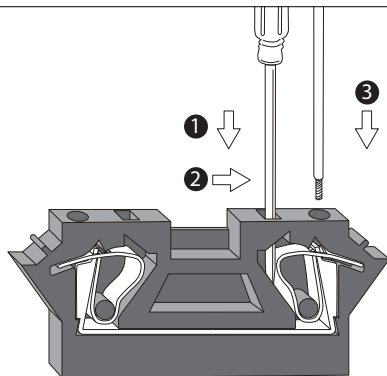


## Terminal block

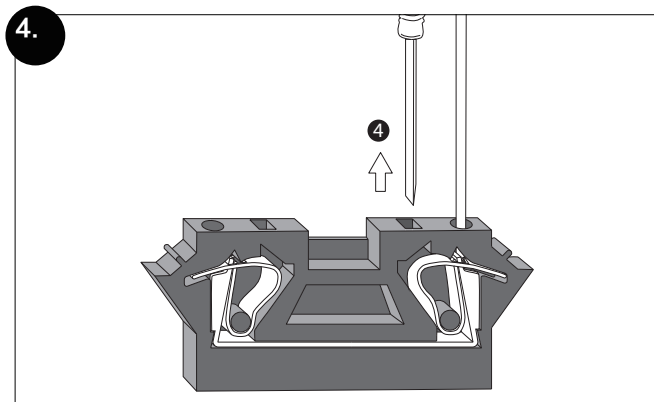
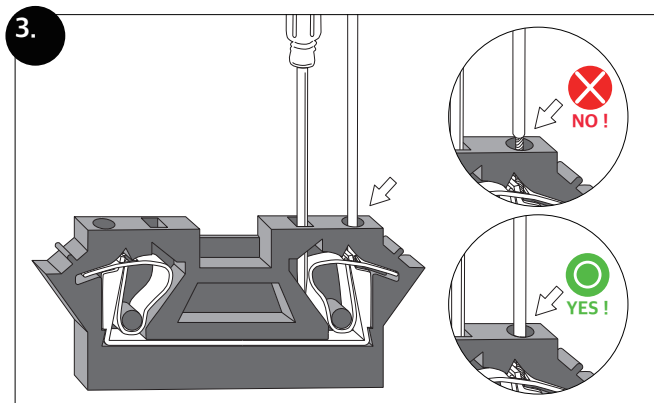
1.



2.



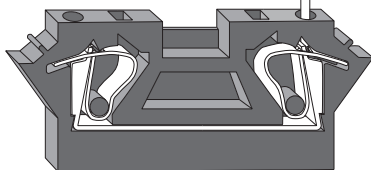
## Terminal block



---

## Terminal block

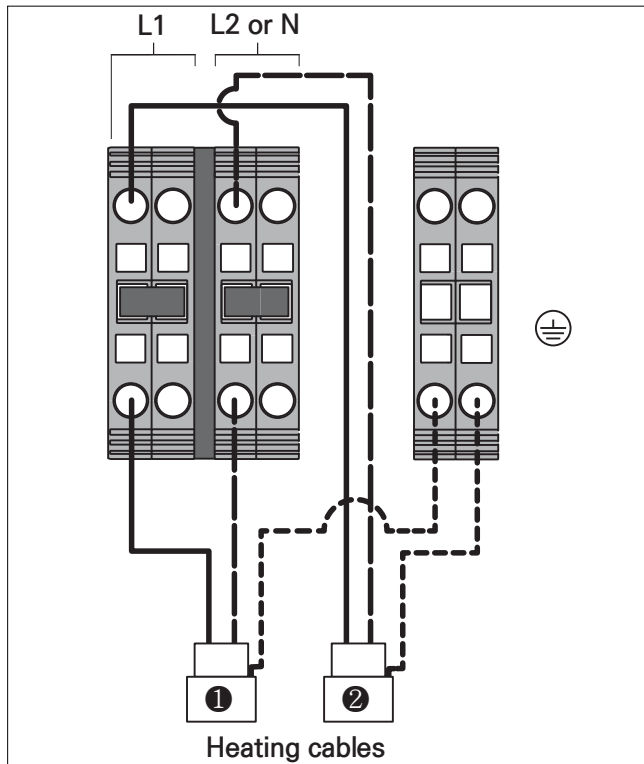
5.



## Terminal block (Wire Diagram)

1A.

Splice Connection

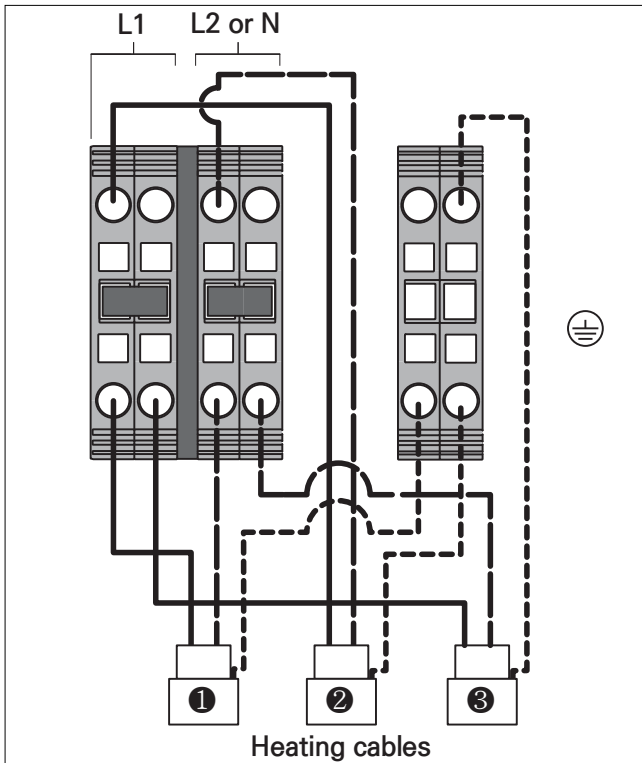




## Terminal block (Wire Diagram)

1B.

Tee Connection

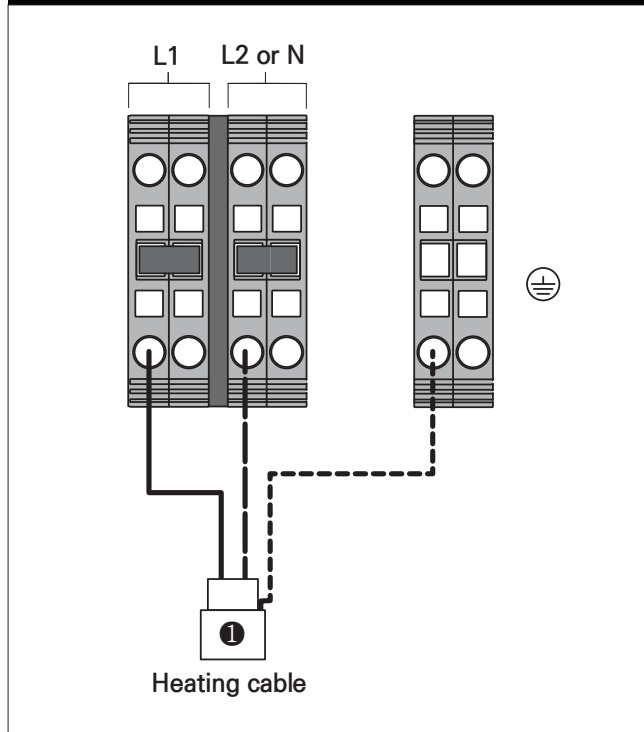


## Terminal block (Wire Diagram)

1C.

End Termination

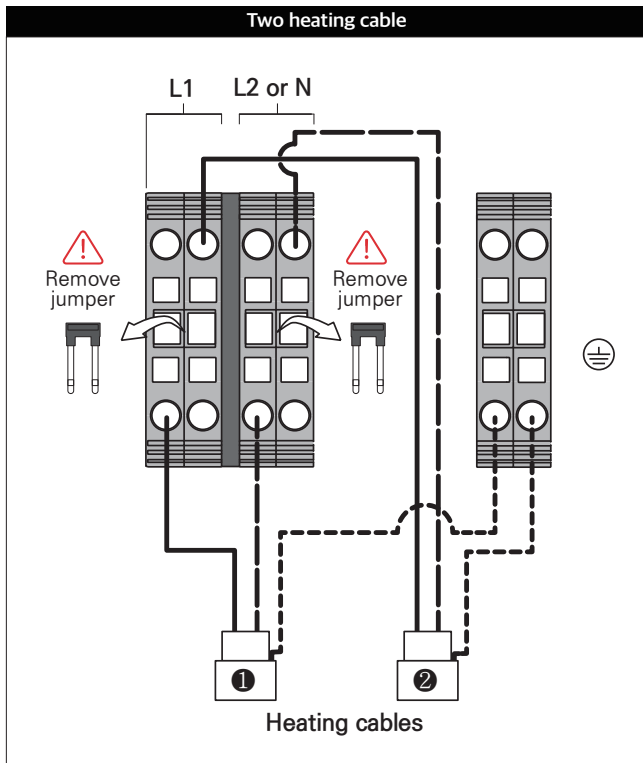
One heating cable



## Terminal block (Wire Diagram)

1C.

End Termination





Gaumer Process

ADDRESS 13616 Hempstead Road · Houston, TX, U.S.A., 77040

WEB [www.gaumer.com](http://www.gaumer.com) TEL +1 (800) 460 5200 E-MAIL [sales@gaumer.com](mailto:sales@gaumer.com)